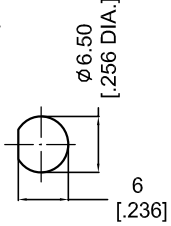
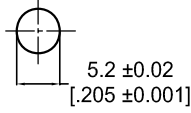

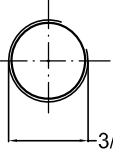
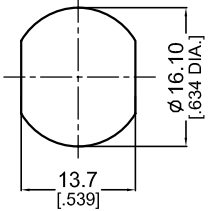
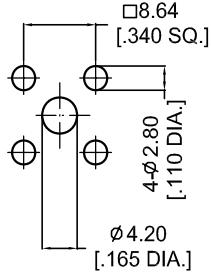
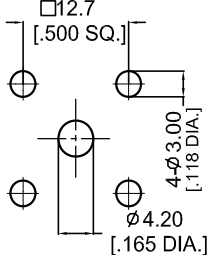
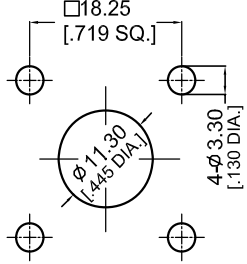
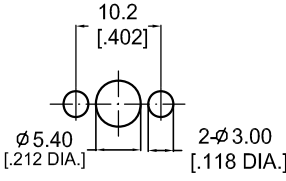
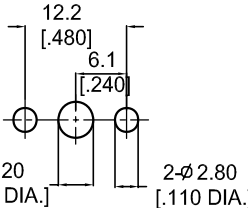
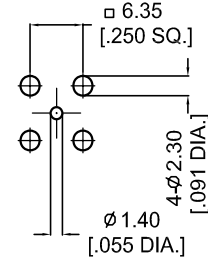
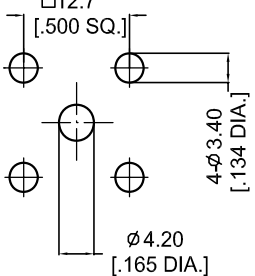
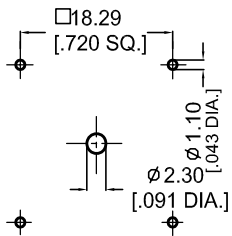
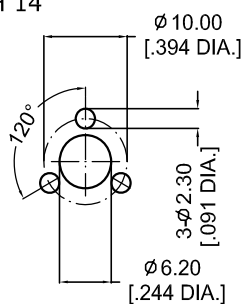
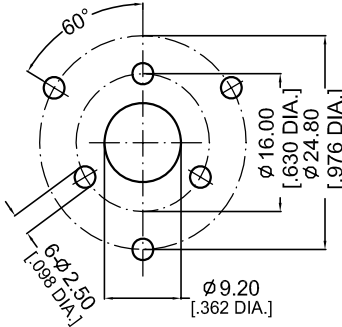
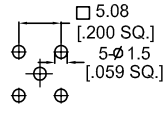
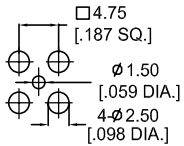
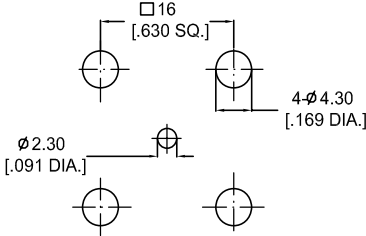
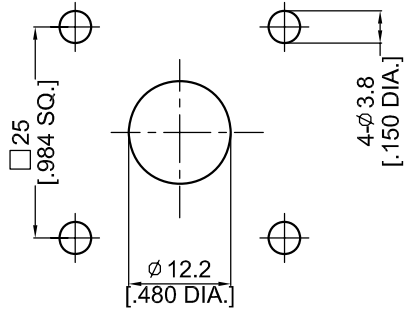
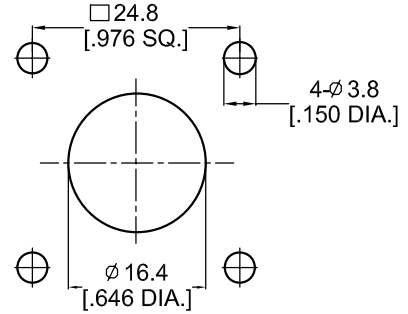


<p>MH 1</p>  <p>$\phi 6.50$ [.256 DIA.]</p> <p>6 [.236]</p>	<p>MH 2</p>  <p>5.2 ± 0.02 [.205 ± 0.001]</p>	<p>MH 3</p>  <p>1/4-36 UNS-2B</p>	<p>MH 4</p>  <p>3/8-32UNEF-2B</p>
<p>MH 5</p>  <p>$\phi 16.10$ [.634 DIA.]</p> <p>13.7 [.539]</p>	<p>MH 6</p>  <p>$\square 8.64$ [.340 SQ.]</p> <p>4-$\phi 2.80$ [.110 DIA.]</p> <p>$\phi 4.20$ [.165 DIA.]</p>	<p>MH 7</p>  <p>$\square 12.7$ [.500 SQ.]</p> <p>4-$\phi 3.00$ [.118 DIA.]</p> <p>$\phi 4.20$ [.165 DIA.]</p>	<p>MH 8</p>  <p>$\square 18.25$ [.719 SQ.]</p> <p>$\phi 11.30$ [.445 DIA.]</p> <p>4-$\phi 3.30$ [.130 DIA.]</p>
<p>MH 9</p>  <p>10.2 [.402]</p> <p>$\phi 5.40$ [.212 DIA.]</p> <p>2-$\phi 3.00$ [.118 DIA.]</p>	<p>MH 10</p>  <p>12.2 [.480]</p> <p>6.1 [.240]</p> <p>$\phi 4.20$ [.165 DIA.]</p> <p>2-$\phi 2.80$ [.110 DIA.]</p>	<p>MH 11</p>  <p>$\square 6.35$ [.250 SQ.]</p> <p>4-$\phi 2.30$ [.091 DIA.]</p> <p>$\phi 1.40$ [.055 DIA.]</p>	<p>MH 12</p>  <p>$\square 12.7$ [.500 SQ.]</p> <p>4-$\phi 3.40$ [.134 DIA.]</p> <p>$\phi 4.20$ [.165 DIA.]</p>
<p>MH 13</p>  <p>$\square 18.29$ [.720 SQ.]</p> <p>$\phi 1.10$ [.043 DIA.]</p> <p>$\phi 2.30$ [.091 DIA.]</p>	<p>MH 14</p>  <p>$\phi 10.00$ [.394 DIA.]</p> <p>120°</p> <p>3-$\phi 2.30$ [.091 DIA.]</p> <p>$\phi 6.20$ [.244 DIA.]</p>	<p>MH 15</p>  <p>60°</p> <p>$\square 16$ [.630 SQ.]</p> <p>$\phi 16.00$ [.630 DIA.]</p> <p>$\phi 24.80$ [.976 DIA.]</p> <p>6-$\phi 2.50$ [.098 DIA.]</p> <p>$\phi 9.20$ [.362 DIA.]</p>	
<p>MH 16</p>  <p>$\square 5.08$ [.200 SQ.]</p> <p>5-$\phi 1.5$ [.059 SQ.]</p> <p>4-$\phi 2.50$ [.098 DIA.]</p>	<p>MH 17</p>  <p>$\square 4.75$ [.187 SQ.]</p> <p>$\phi 1.50$ [.059 DIA.]</p> <p>4-$\phi 2.50$ [.098 DIA.]</p>	<p>MH 18</p>  <p>$\square 16$ [.630 SQ.]</p> <p>4-$\phi 4.30$ [.169 DIA.]</p> <p>$\phi 2.30$ [.091 DIA.]</p>	

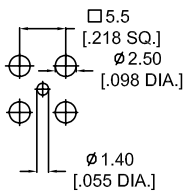
MH 19



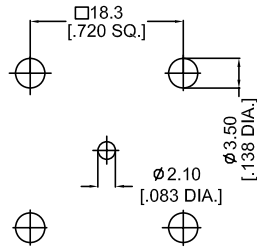
MH 20



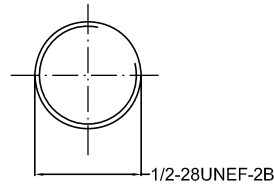
MH 21



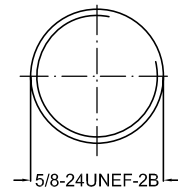
MH 22



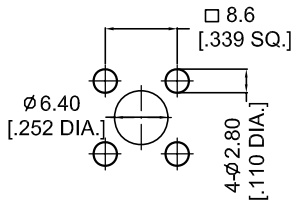
MH 23



MH 24



MH 25



MH 26

